

**PLEASE CHECK WWW.MOLEX.COM FOR LATEST PART INFORMATION**

**Part Number:** [0672320001](#)  
**Status:** **Active**  
**Description:** 1.27mm (.050") Pitch One Slot Card Bus Header-Flush Profile, Edge Mount, Right Angle, SMT  
**Replacement Part Number:** [67130 / 67286](#)

**Documents:**

[Drawing \(PDF\)](#) [RoHS Certificate of Compliance \(PDF\)](#)

**General**

Product Family	Memory Card Sockets
Series	<a href="#">67232</a>
Button Type	N/A
Component Type	Header/Socket (Host)
Obsolete Date	2004/08/01
Product Name	CardBus
Replacement Part Number	<a href="#">67130 / 67286</a>
Type	I, II

**Physical**

Card Detection Switch	N/A
Circuits (Loaded)	68
Durability (mating cycles max)	10,000
Ejector Button Side	No Ejector Button Present
Entry Angle	90° Angle (Side Entry)
Keying to Mating Part	Yes
PCB Mounting Side	Normal
PCB Retention	None
PCB Thickness Recommended (in)	0.062 In
PCB Thickness Recommended (mm)	1.60 mm
Packaging Type	Tray
Pitch - Mating Interface (in)	0.050 In
Pitch - Mating Interface (mm)	1.27 mm
Ports	1
Temperature Range - Operating	-20°C to +85°C

**Electrical**

Current - Maximum per Contact	0.5A
Voltage - Maximum	100V AC
Voltage Key	3.3V

**Material Info**

**EU RoHS** **China RoHS**

**Compliance Status**

**Not Reviewed**

**REACH SVHC**

**Not Reviewed**

**Halogen-Free**

**Status**

**Not Reviewed**

**Need more information on product environmental compliance?**

Email [productcompliance@molex.com](mailto:productcompliance@molex.com)  
 For a multiple part number RoHS Certificate of Compliance, [click here](#)

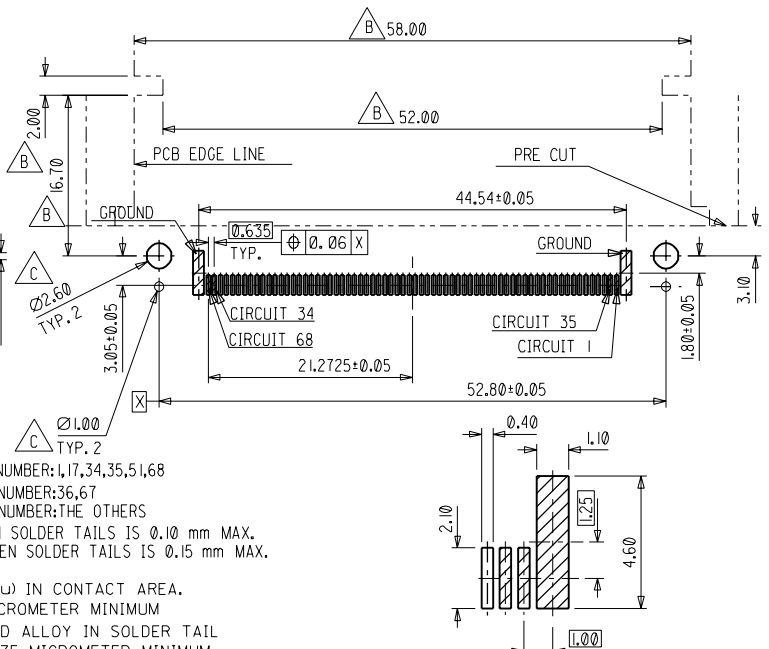
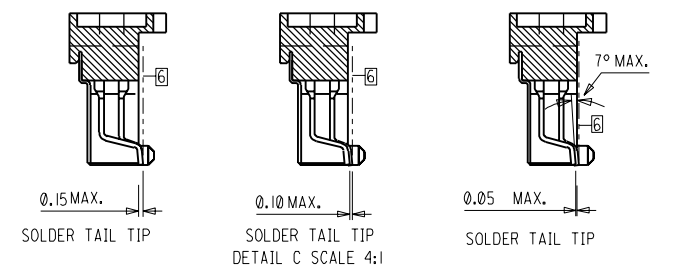
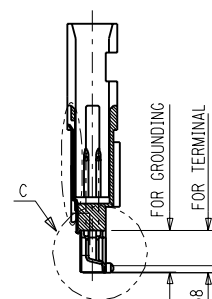
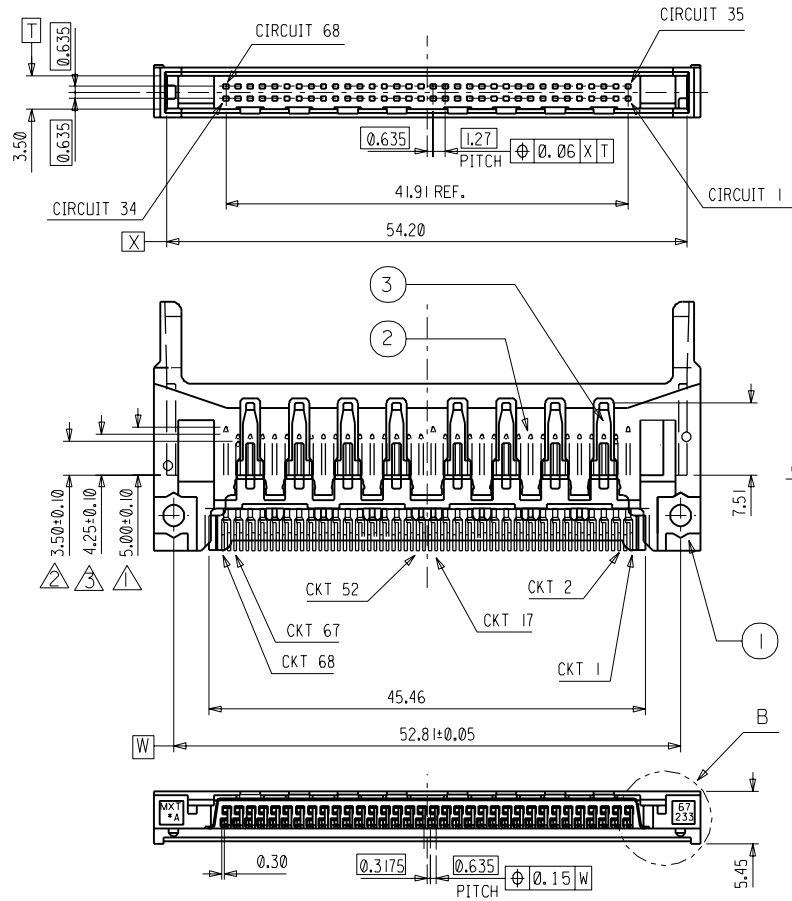
Please visit the [Contact Us](#) section for any non-product compliance questions.

**Search Parts in this Series**

[67232Series](#)

**Use With**

[67121 Ejector Mechanism](#)



NOTES:

- 1 APPLIES TO CIRCUIT NUMBER: 1,17,34,35,51,68
- 2 APPLIES TO CIRCUIT NUMBER: 36,67
- 3 APPLIES TO CIRCUIT NUMBER: THE OTHERS
- 4 COPLANARITY BETWEEN SOLDER TAILS IS 0.10 mm MAX.
- 5 TRUE POSITION BETWEEN SOLDER TAILS IS 0.15 mm MAX.
- 6 FINISH:
  - SELECTIVE GOLD (Au) IN CONTACT AREA. THICKNESS=0.38 MICROMETER MINIMUM
  - SELECTIVE TIN-LEAD ALLOY IN SOLDER TAIL AREA THICKNESS=3.75 MICROMETER MINIMUM
  - NICKEL (Ni) OVERALL.

MODIFY PLATING SPEC. EC NO. T201-0012 DRWNG: MAX 2001/02/06 CHK: WILSON CHANG APPR: Mego Lin	QUALITY SYMBOLS MAJOR $\nabla = 0$ CRITICAL $\nabla C = 0$	GENERAL TOLERANCES: (UNLESS SPECIFIED)		SCALE: 2:1 DESIGN UNITS: <input checked="" type="checkbox"/> mm <input type="checkbox"/> INCH	THIRD ANGLE PROJECTION	DIMENSIONS:		I D SHT REV		
		4 PLACES $\pm 0.15$ $\pm 0.15$ 3 PLACES $\pm 0.25$ $\pm 0.25$ 2 PLACES $\pm 0.25$ $\pm 0.10$ 1 PLACE $\pm 0.25$ $\pm 0.10$	mm INCH			mm ONLY	REVISE ON CAD ONLY			
D	REV	ANGLAR: +3° DRAFT WHERE APPLICABLE MUST REMAIN WITHIN DIMENSIONS		DRAWN BY & DATE ARNOLD 98/08/18 CHECKED BY & DATE APPROVED BY & DATE	TITLE: PC CARD CONNECTOR ASS'Y FOR 3.3V SMT STANDAR TYPE					
				CAD FILENAME S6723202.S01	MATERIAL NO. 67232-0001	DRAWING NO. SD-67232-002	MOLEX INCORPORATED			
				THIS DRAWING CONTAINS INFORMATION THAT IS PROPRIETARY TO MOLEX INCORPORATED AND SHOULD NOT BE USED WITHOUT WRITTEN PERMISSION.			SHEET NO. 1 / 1		SIZE A3	

8 | 7 | 6 | 5 | 4 | 3 | 2 | 1

DO NOT SCALE DRAWING

CADFILE NO.S6736701.S01 SIMILAR ITEM

EDP NO.

ENG. NO

SEE TABLE

EJECTOR HEADER		BUTTON TYPE		PUSH PUSH BUTTON				Up/Down BUTTON				Turn BUTTON				Turn With Spring				Straight BUTTON					
		Push Side		Right		Left		Right		Left		Right		Left		Right		Left		Right		Left			
		Screw	W/O Screw	Screw	W/O Screw	Screw	W/O Screw	Screw	W/O Screw	Screw	W/O Screw	Screw	W/O Screw	Screw	W/O Screw	Screw	W/O Screw	Screw	W/O Screw	Screw	W/O Screw	Screw	W/O Screw		
SMT (67130)	3,3 V PCMCIA	Normal	67130-0002	67349-0001					67121-0005						67121-0006				67121-0008				67121-0010	67349-0010	
		Sinker																							
		Reverse	89426-1000	N/A						N/A										N/A				N/A	
		Stand-off																							
	5,0 V PCMCIA	Normal																							
		Sinker																							
		Reverse	67130-0003	OK						OK						N/A				N/A				OK	
		Stand-off																							
	3,3 V Card Bus	Normal	67130-0001	67160-0001						67160-0005										N/A				OK	
		Sinker	67232-0001/2	N/A						N/A										OK				N/A	
		Reverse																							
		Stand-off																							
5,0 V Card Bus	Normal																								
	Sinker																								
	Reverse																								
	Stand-off																								
DIP (67286)	3,3 V PCMCIA	Normal																							
		Sinker																							
		Reverse	67286-0001	OK						OK														OK	
		Stand-off																							
	5,0 V PCMCIA	Normal																							
		Sinker																							
		Reverse																							
		Stand-off																							
	3,3 V Card Bus	Normal																							
		Sinker																							
		Reverse																							
		Stand-off																							
5,0 V Card Bus	Normal																								
	Sinker																								
	Reverse																								
	Stand-off																								

**P/N RULE :**

**FOR TOTAL ASS'Y P/N:**

1.) Every Row has its Series Number. The Option Number will be the same as Ejector', except 67170-0001.  
 For example: The Header of Total Ass'y Series Number 67160 is 67130-0001.  
 The Header of Total Ass'y Series Number 67170 is 67232-0001.  
 The Ejector of Total Ass'y Part Number 67160-0005 is 67121-0005.

**FOR EJECTOR P/N:**

1.) Right Push Ejector Option Number : Odd Number  
 Left Push Ejector Option Number : Even Number

2.) Ejector Button Color Number :

The first character of ejector option number represent color number

ex. : -0\*\*\* Color : Black  
 -1\*\*\* Color : Gray

**FOR HEADER P/N:**

1.) New Created Header P/N for different Soldering :  
 SMT Series Header : Series Number will be 67130  
 DIP Series Header : Series Number will be 67286

2.) New Created Header P/N for different Mounting Type :  
 ex. : -0\*\*\* Normal Type  
 -1\*\*\* Sinker Type  
 -2\*\*\* Reverse Type  
 -3\*\*\* Stand-off Type

NEW RELEASED EC NO:12000-0101 DRWN: Vincent Lin CHK: Tom Lu APPR: Mega Lin	MAJOR CRITICAL C	QUALITY SYMBOLS DESCRIPTION REV	GENERAL TOLERANCES: (UNLESS SPECIFIED)		PRIVATE LABEL PRODUCT	SUPPLIER NAME:	DIMENSIONS:		SHT	REV		
			mm	INCH	SCALE 1:1	DESIGN UNITS <input checked="" type="checkbox"/> mm <input type="checkbox"/> INCH	<input type="checkbox"/> mm <input type="checkbox"/> INCH	<input type="checkbox"/> mm <input type="checkbox"/> INCH	<input type="checkbox"/> mm <input type="checkbox"/> INCH	<input type="checkbox"/> mm <input type="checkbox"/> INCH	THIRD ANGLE PROJECTION	REVISE ON CAD ONLY
			4 PLACES ±0.15	3 PLACES ±0.25	DRAWN BY & DATE Vincent Lin '000214		TITLE: PC CARD HOST ASS'Y P/N LIST					
			2 PLACES ±0.25	1 PLACE ±0.25	CHECKED BY & DATE		APPROVED BY & DATE					
ANGULAR: ±3°		DRAFT WHERE APPLICABLE MUST REMAIN WITHIN DIMENSIONS		CAD FILENAME S6736701.S01	MATERIAL NO. SEE TABLE	DRAWING NO. SD-67367-001	SHEET NO. 1		SIZE A3			

THIS DRAWING CONTAINS INFORMATION THAT IS PROPRIETARY TO MOLEX INCORPORATED AND SHOULD NOT BE USED WITHOUT WRITTEN PERMISSION.